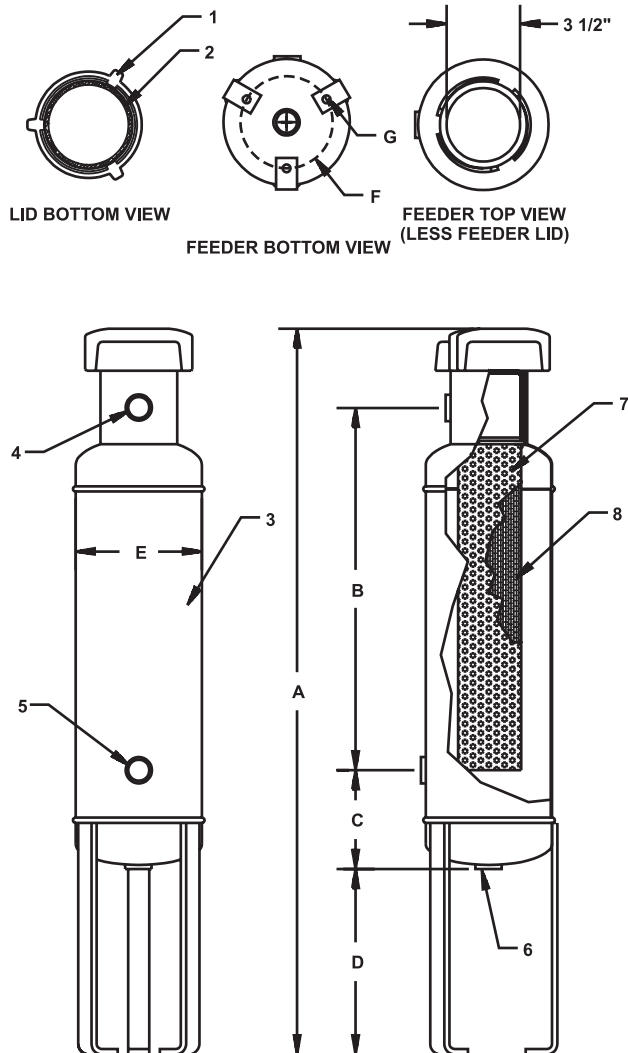


J.L. WINGERT CO.

Specification Sheet DOME BOTTOM HIGH CAPACITY FILTER FEEDERS

SS030010.A 10/12



PARTS, MATERIALS AND SPECIFICATIONS

KEY	PART	SPECIFICATIONS
1	3071	CLOSURE: 3 1/2" cast iron, 1/4 turn closure, (O-ring included)
2	3072	O-RING: Buna-N O-ring 200°F
3		BODY: Carbon steel
4		INLET: 3/4" FNPT
5		OUTLET: 3/4" FNPT
6		DRAIN: 3/4" FNPT
7	3160	BASKET: 304 stainless steel basket (2.5"D x 19"L)
8	3161	FILTER: 25 micron bag (2.5"D x 19"L / 93 in ³)
MAX. PRESSURE		200 PSI (13.6 BAR)
MAX. TEMPERATURE		200°F (93°C)

VOLUME (FILL CAPACITY)

MODEL	GALLONS	LITERS
FHC-DB-2HD	2.48	9.39
FHC-DB-5HD	6.39	24.19
FHC-DB-12HD	13.37	50.61

DIMENSIONS, WEIGHT & CUBE:

KEY	FHC-DB-2HD	FHC-DB-5HD	FHC-DB-12HD
A	34 1/8"	33 3/4"	54 3/8"
B	17 1/4"	16 3/4"	37 1/4"
C	4 3/4"	5 3/4"	5 7/8"
D	8 3/4"	7 3/4"	7 3/4"
E	6"	10"	10"
F	4"	8"	8"
G	3/8"	3/8"	3/8"
WEIGHT	30 lbs. (13.6 kgs.)	44 lbs. (20 kgs.)	69 lbs. (31.3 kgs.)
CUBE	6" x 6" x 35"	10" x 10" x 35"	10" x 10" x 56"

Note: All dimensions are +/- 1/8". All weights are approximate. All dimensions are subject to change without notice.

MANUFACTURING: Mixers, Bypass Feeders, Filter Feeders, Bromine Feeders, Sample Coolers, Sludge Traps, Separators, Separator Systems, Tank Stands, Tank Package Systems, Glycol Feed Systems, Coupon Racks, Control Stations, NEMA Enclosures, Custom Packaged Systems and Specialty Welding

P.O. Box 6207 • Garden Grove, CA 92846-6207 / 11800 Monarch St. • Garden Grove, CA 92841-2113 • Phone (714) 379-5519 • Fax (714) 379-5549
Northern California Region • Phone (510) 487-5310 • Southwest Region • Phone (602) 470-1015 • Email: customerservice@jllwingert.com

www.jllwingert.com